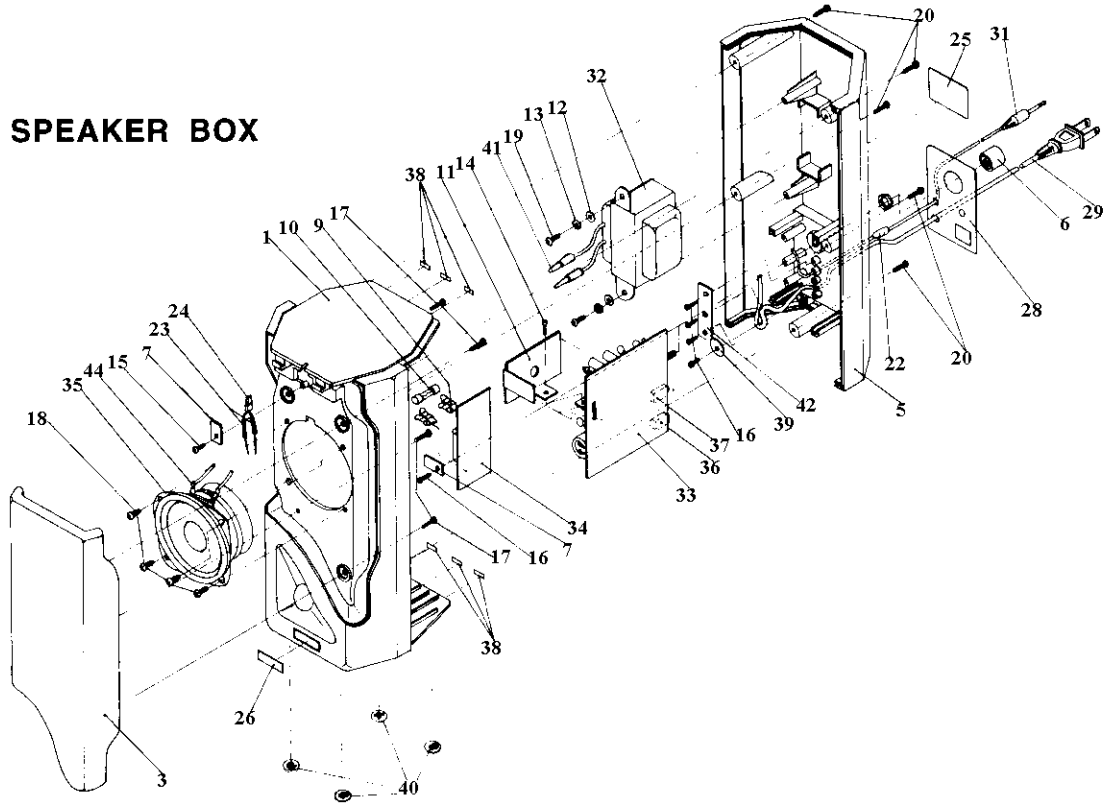


**AMX 11 AC-POWERED STEREO
AMPLIFIED SPEAKER SYSTEM
(400-1324)
FAXBACK DOC # 10175**

LEFT SPEAKER BOX



RIGHT SPEAKER BOX

